

**CASTING QUALITY LEVEL**  
 LEVEL D S3-V4  
**CERTIFICATES**  
 MATERIALS CERTIFICATE:  
 EN 10204 - 3.1  
 FINAL CERTIFICATE:  
 EN 10204 - 3.1  
**PAINT INSTRUCTIONS:**  
 STANDARD VS  
**APPLICABLE NORMS**  
 Acc. to 2014/68/EU  
 Acc. to 2014/34/EU (ATEX)

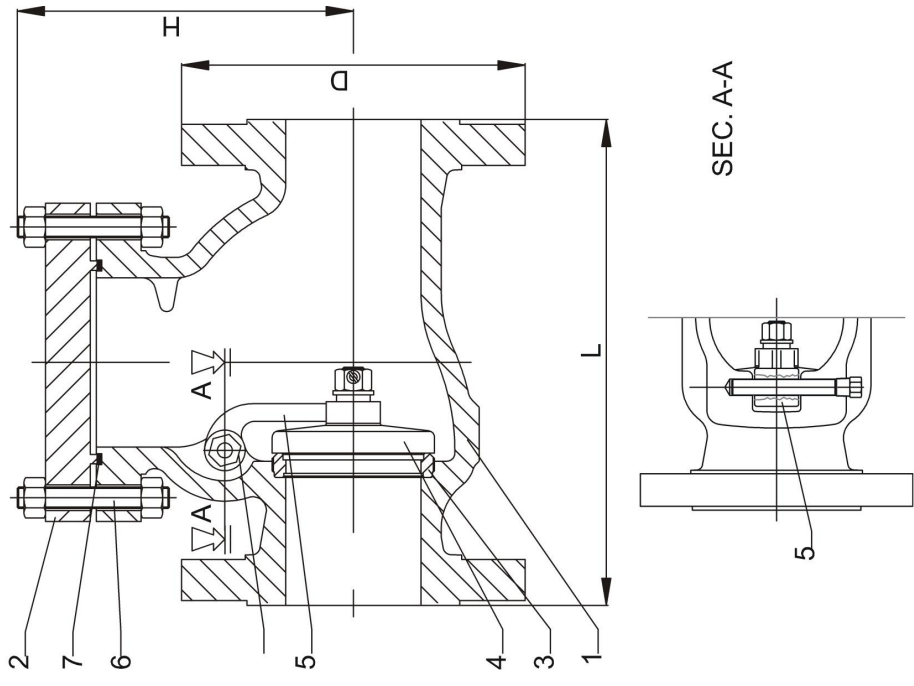


FIG N.474 SWING CHECK VALVE

SIZE	2"	3"	4"	6"	8"	10"	12"	14"	16"	18"	20"	24"	28"
L RF/BW	368	470	546	705	832	991	1130	1257	1384	1537	1664	1943	—
L RTJ	371	473	549	711	842	1000	1146	1276	1407	1559	1686	1972	—
D	216	267	311	394	483	584	673	749	826	914	984	1168	—
H	263	304	423	506	716	762	818	—	—	—	—	—	—

POS PART NAME MATERIAL

1	BODY	ASTM A216 WCB
2	COVER	ASTM A216 WCB
3	SEAT RING SURFACE	Standard
4	DISC SEAT SURFACE	HF (Stellite)
5	HINGE	ASTM A216 WCB
6	BOLTING	B7
7	GASKET	REINFORCE 316 GRAPHITE D GRAPHITE

SWING CHECK VALVE - ASME 1500  
RING JOINT -

Customer CD204

Enquiry / Project 6100619

User

Preliminary Drawing 14\_1\_R0

Date 21.01.2020

Design	BS 1868	Rating	ASME B16.34
FaceToFace	ASME B16.10	Marking	MSS SP-25
Ends	ASME B16.5	Visual	MSS SP-55
Test	API 598	Dimensional	ASME B16.5/B16.10

VALVOSIDER